



136*160*18mm

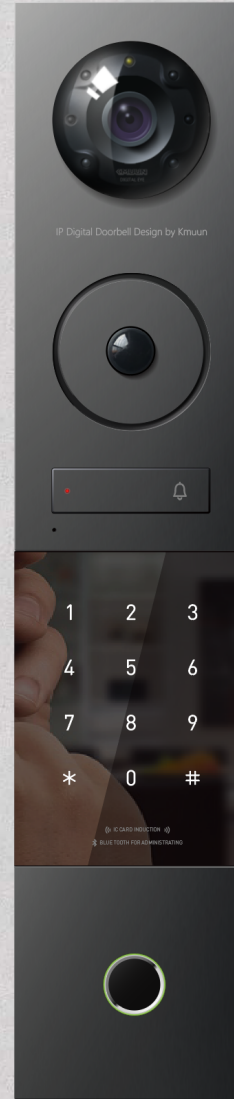
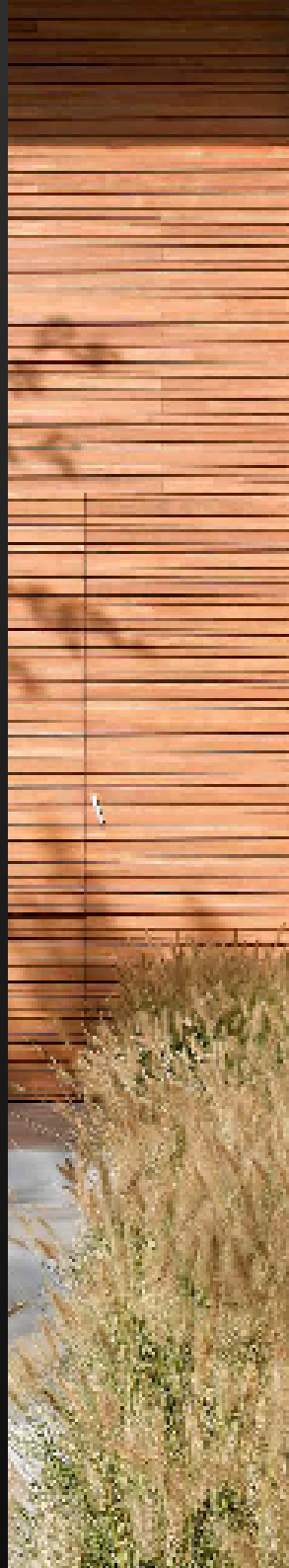
D1as/vs

Kmuun Intelligent Home Access

2025

IoT Interconnection

Chonel Industry (Shanghai) Co., Ltd.



68*320*18mm

Kmuun D1 connects to home wired network for two-way communication with your smart-phone. With any data network anywhere, you can answer visitor calls, view real-time door status, make voice calls, unlock the door, and enable remote detection & alarm functions. It also allows you to set and manage fingerprints, passwords and card access. Featuring a split modular design, D1 supports side-by-side (D1as) and vertical (D1vs) layout arrangements to fit different scenarios.

Technical Parameters

Basic Overview	Product Attributes	IP Visible Doorbell
	Model	D1
	Name	100W pixel 1/4" CMOS Wireless Network Visible Doorbell
	Dimensions specifications	160mm*68mm*18mm, 435g
	Power & power consumption	DC 12V +10%, 1.5A; maximum power consumption approximately 0.9W MAX
	Working temperature and humidity	-10°C~50°C, humidity less than 95% (no condensation)
	Audio	Built-in MIC and SPK, G.711A bidirectional full-duplex voice, built-in speaker (82W)
	Alarm Function	Pir Passive Human Body Infrared Detection / Video Image Contrast Change Detection
	Button	One doorbell button, One reset button
	Remote Upgrade	Supports
Camera and image	Sensor Type	1/4" Progressive Scan CMOS
	Lens and Interface	Lens 2.1mm, View Angle 145°, M8
	Video Parameters	1/4" CMOS 1; Maximum: 720P (1280*720), multiple options available
	Encoding and FrameRate	H.264 1~30 frames per second (set according to network environment)
	Operating System	Embedded Linux
	Night visior	6 x 3mm LED lights, infrared night vision up to 5 meters, IR-Cut automatic backlight compensation, no color bias
	Minimum Illuminance	0.8Lux/F1.4 (color mode), 0.3Lux/F1.0 (black and white mode)
Network	Network Protocol	Private Agreements TCP/IP,HTTP,TCP,UDP,SMTP,FTP,DHCP,DNS,NTP,UPnP,RTSP,P2P
	Network	RJ45 wired connection, 4-pin 2.0mm, one-key wireless configuration
APP	APP	YOOSEE
	Network Functions	Remote video, visitor call answering, alarm reception, remote unlocking, recording, photography, etc.
	Supported Functions	Take photos, replay, video viewing, QR code sharing
	Mobile APP	Android & iOS, supports up to 5 users viewing and calling simultaneously
Finger-print Pass-word Card Access	Ingerprint comparison time	<0.5 S
	Fingerprint comparison method	1:N
	Rejection Rate	One thousandth
	False Acceptance Rate	One ten-thousandth
	Finger usage angle	360°
	Fingerprint update method	Smart automatic update
	Fingerprint information	Power outage and replacement without losing fingerprints
	Fingerprint capacity	200
	Password capacity	50
	IC card capacity	100
	Bluetooth Capacity	50
	Dimensions Specifications	18 mm thick; As-136*160mm, Vs version - 68 * 320mm
	Dynamic power consumption	No playback sound, no motor action <80mA; with sound, no motor action <200m
	Operating Voltage	4.5V ~ 6.5V, max. 7V
External emergency power supply	Micro USB	
lowvoltage alarm	4.5V~4.8V	
Electrostatic capability (full lock)	Contact discharge +8kV, air discharge +15kV	
Operating Humidity	20%RH-90%RH	
Working temperature	-10°C~55°C	
Storage temperature	-20°C~70°C	
Storage humidity	10%RH-95%RH	
Password design	Can be random code combination, up to 30 valid digits	
Password Length	6~12 digit numbers	

*Parameters may vary slightly depending on product version.

Function Introduction

- 1、Adopts a semiconductor fingerprint sensor with 14-pin sensor interface (compatible with YN102X). Supports touch power-on function.
- 2、Equipped with 12 touch keys, wake-up available via any key. The keypad is illuminated by a light guide plate or 12 LED indicators.
- 3、Full-process voice prompt navigation with onboard speaker.
- 4、Intelligent fingerprint update function to effectively improve user experience.
- 5、Password length: 6~12 digits, with random dummy code function. A maximum of 30 consecutive digits can be entered; access is granted as long as the correct password is contained in the input. Inputs exceeding 30 digits in a single entry will not be recognized.
- 6、User capacity: 200 fingerprint templates, 50 sets of passwords, 100 IC cards.
- 7、Wrong attempt lockout function.
- 8、Factory reset supported. Under initialization state, any fingerprint can unlock the door. Default factory unlock password: 123456.

Device Management

- a. Add fingerprints, passwords and IC cards. Fingerprints can be edited with custom recognizable names, and fingerprint permission attributes can be modified (administrator fingerprint or ordinary user fingerprint). Any modification to fingerprint permission attributes shall be synchronized to the lock.

- b. Delete fingerprints, passwords and IC cards.

- c. Synchronize offline user information, supporting incremental synchronization and full synchronization.

Incremental Synchronization: Only synchronize newly added or deleted user data to the lock.

Full Synchronization: Perform a one-time full synchronization of all user information on the lock.

Under normal conditions, the APP adopts incremental synchronization only. In case of data inconsistency between incremental synchronization results and the database, full synchronization will be triggered automatically.

- d. Synchronize offline unlocking records.

- e. Sharing function.

D1 Package Contents

- 1、1 × Ebell Doorbell Main Unit
- 2、1 × Eguard Access Control Main Unit
- 3、1 × D1 Outdoor Unit Mounting Backplate (Horizontal / Vertical layout optional, with spring pins)
- 4、1 × Onekey Indoor Main Unit
- 5、1 × Onekey Indoor Unit Mounting Backplate
- 6、3 × Access Control Cards
- 7、1 × 550mm 5P Male to 5P Female Eguard access control signal cable
- 8、1 × 550mm 2P-4P dual-head female to 6P female Ebell connection cable
- 9、1 × Wi-Fi antenna extension cable
- 10、1 × 4P-RJ45 cable (Wired network)
- 11、1 × 2P power input cable (Red and black wire)
- 12、1 × 2P unlock output cable (Dual blue wire)
- 13、1 × Disassembly tool (For device removal)

Offline Management

Factory Default State

In the factory default state, the fingerprint database is empty. Any fingerprint can unlock the door at this time. The factory default unlock password is 123456#. Enter the default password to unlock the door. Once a user is registered, the factory default password will become invalid automatically. Press and hold the factory reset key. The buzzer will beep once every second. After 5 seconds, the voice prompt will play: "Factory reset pending. Press # to confirm, press * to exit". Press the # key at this moment, and the voice prompt will announce "Initialization successful"; the device will then restore to factory default state.

Note: Restoring to factory default state will clear all registered user information.

Setting Operation

Short press the rear setup button of the door unit or press *# to enter the setting mode (a small setup button is located on the rear of the main board). If no administrator has been registered, the voice prompt will play: "Please register the administrator. Please enter your fingerprint, password or induction card", and the system will automatically enter administrator registration (fixed ID: 001). Refer to the user adding procedure for the registration process.

If an administrator has already been registered, the voice prompt will indicate: "Please authorize".

If administrator verification fails, the voice prompt will play: "Incorrect input".

If verification succeeds, the system will directly enter the main setting menu with the voice prompt: "Press 1 to add ordinary users, press 2 to add administrators, press 3 to delete users, press * to exit".

Press the corresponding number key to enter the submenu. The system will automatically exit the setting mode upon timeout.

Doorbell Operation: Press and release the # key to trigger the doorbell chime.

Add Regular Users

Enter the regular user adding interface, voice prompt: "Please verify fingerprint, password or card". The system automatically identifies the user type by operation.

- a. When registering fingerprint for the first time, voice prompt: "Please press your finger again". Repeat fingerprint enrollment for 5 times in total. Voice prompt on success: "User XXX added successfully"; on failure: "Failed to add user", return to step a.

When fingerprint storage is full: Voice prompt: "Fingerprint full. Please enter password or card".

- b. Enter password and press #, voice prompt: "Re-enter password, press # to confirm, press * to exit". If two passwords match: "User XXX added successfully"; if not: "Input error", return to step b.

When password storage is full: Voice prompt: "Password full. Please enter fingerprint or card".

When fingerprint and password are both full: Voice prompt: "User capacity full".

- c. Swipe IC card: Voice prompt: "User XXX added successfully"; otherwise: "Input error", return to step c.

When IC card storage is full: Voice prompt: "Card full. Please enter fingerprint or password".

Prompt Notes

Registered fingerprint: "Fingerprint already exists"

Inconsistent passwords: "Input error"

Password not 6~12 digits: "Input error"

Registered password: "Password already exists"

Registered IC card: "Card already exists"

Add Administrator

Enter the administrator adding mode, voice prompt: Please enter fingerprint, password or card. The system identifies the registration type by user operation.

- d. Press fingerprint for the first time, voice prompt: Please press your finger again. Complete fingerprint entry for 5 times. Success prompt: XXX added successfully; Failure prompt: Failed to add user, return to step a.

When fingerprint storage is full: Voice prompt: Fingerprint full. Please enter password or card.

- e. Enter password and press #, voice prompt: Re-enter password, press # to confirm, press * to exit. If the two passwords match: XXX added successfully; If not: Input error, return to step b.

When password storage is full: Voice prompt: Password full. Please enter fingerprint or card.

- c. Swipe IC card: Prompt: XXX added successfully; Otherwise: Input error, return to step c.

When IC card storage is full: Voice prompt: Card full. Please enter fingerprint or password.

When administrator quantity is full: Voice prompt: Administrator full.

When fingerprint and password storage are both full: Voice prompt: User capacity full.

Registered fingerprint: Fingerprint already exists.

Inconsistent passwords: Input error.

If the password length is not 6~12 digits: Input error.

If the password is already registered: Password already exists.

If the IC card is already registered: Card already exists.

Delete Users

Enter user deletion mode; voice prompt: Press 1 to delete by ID, 2 by fingerprint, 3 by password, 4 by card, * to exit. Select the deletion mode as prompted.

- a. Press 1: Delete by ID

Voice prompt: Enter user ID, press # to confirm, * to exit. Enter the ID and press # to confirm. Deletion succeeded: User XXX deleted successfully, return to a. Invalid ID range: Input error, please re-enter, return to a. Unregistered ID: User does not exist, return to a.

- b. Press 2: Delete by Fingerprint

Voice prompt: Please press your finger. Verify the registered fingerprint: User XXX deleted successfully, return to b. Unregistered fingerprint: User does not exist, return to b.

- c. Press 3: Delete by Password

Voice prompt: Enter password, press # to confirm, * to exit. Enter the registered password: User XXX deleted successfully, return to c. Unregistered password: User does not exist, return to c.

- d. Press 4: Delete by Card

Voice prompt: Please swipe card. Swipe the registered IC card: User XXX deleted successfully, return to d.

Unlocking

User Unlocking

(1) Upon successful verification of fingerprint, password or IC card, the motor rotates forward with buzzer prompt. The motor reverses to lock automatically after 5 seconds.

(2) Unlock with the matched mechanical key. The key can also be used for emergency opening when the battery is exhausted and the lock circuit fails.

Wrong Attempt Lockout Function

Continuous fingerprint verification failures ≥5 times: fingerprint function will be locked for 3 minutes, no fingerprint verification available within the period.

Continuous password verification failures ≥5 times: password function will be locked for 3 minutes, no password verification available within the period.

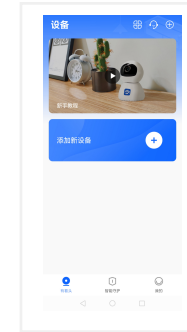


86*86*12.5mm

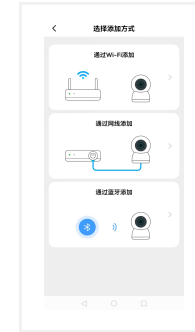
Video Doorbell Networking (APP Connection) & Admin Password Setup



Search and download the Yoosee APP.



Register and log in, then tap Add New Device (+).



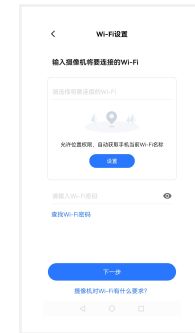
Add device via Wi-Fi, network cable or Bluetooth.



For Wi-Fi connection: connect to the Wi-Fi starting with GW_.



Waiting for connection.



Enter the Wi-Fi for the camera.



Adding camera.



Name the device.



Setup completed, view or share the device now.

Notes

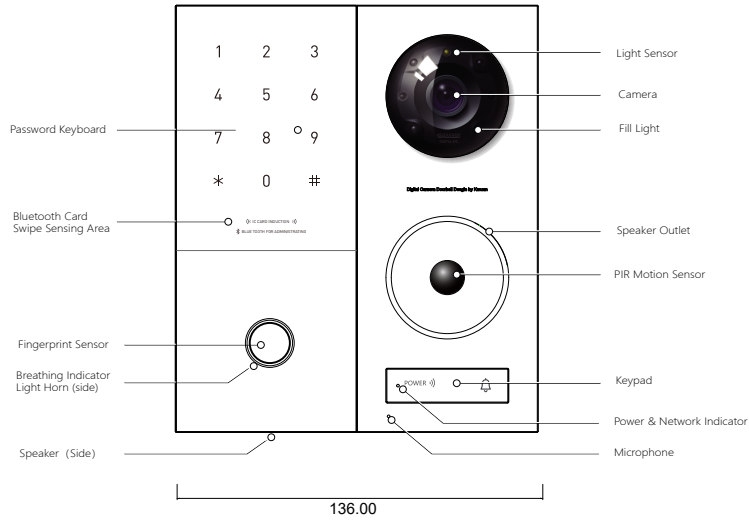
1. After changing the network, press the Reset button on the device to restore factory settings, then reconnect to the new network.
2. Related functions can be configured in settings. Due to continuous APP updates, detailed function descriptions are not provided in this manual.

D1as

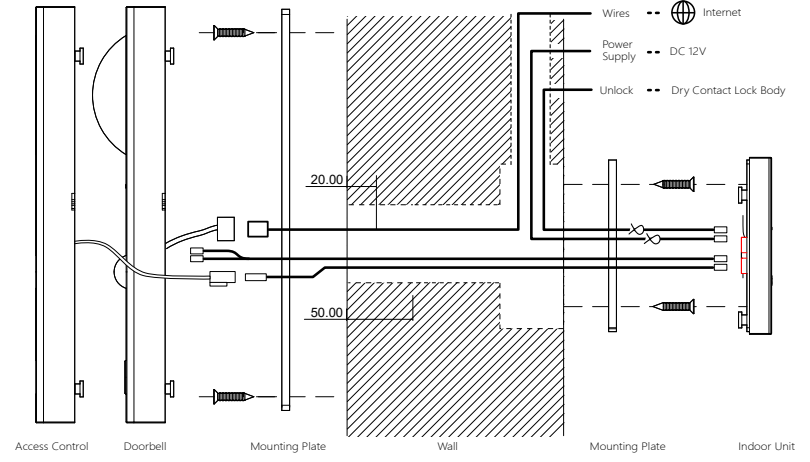
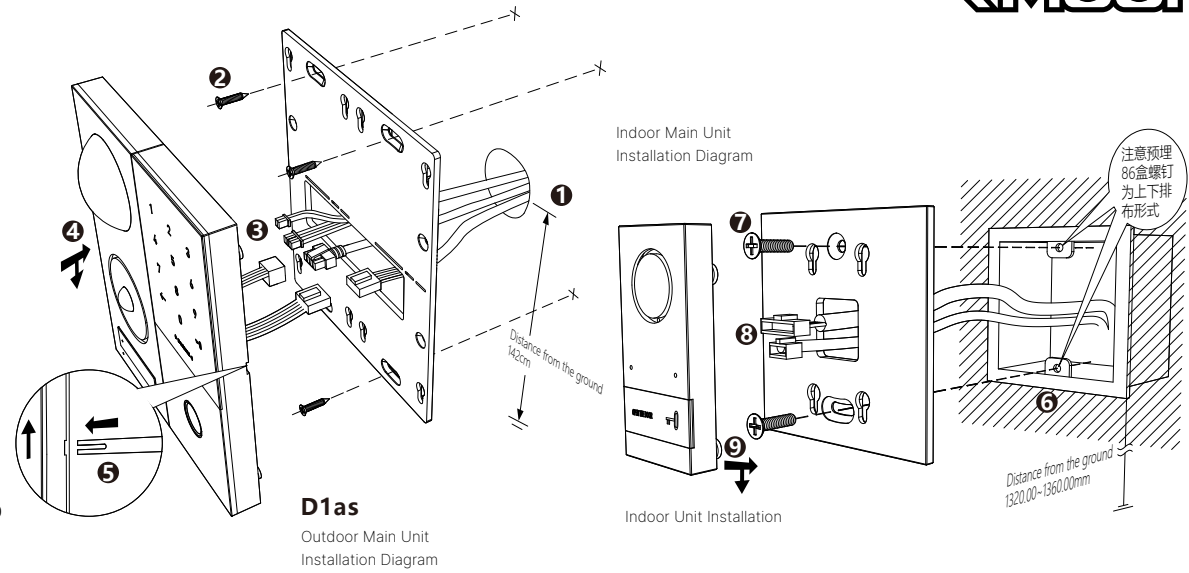
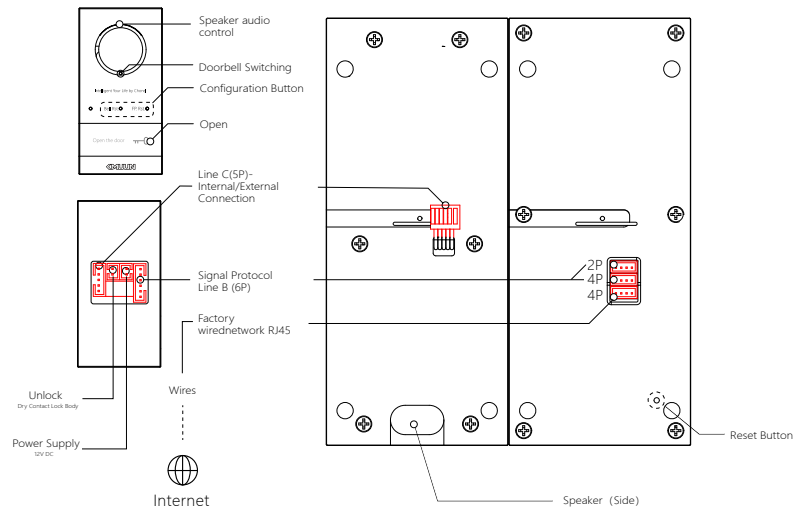
Functions & Installation Diagram



Function Diagram



Wiring Diagram



D1as Wiring and Drilling Diagram

Installation and Removal of Outdoor Unit

- 1、Drill mounting holes on the exterior wall at 142cm above the ground (see Figure 10 for hole layout), and route connecting wires through the holes.
- 2、Fix the mounting base to the wall with screws, aligning the base holes with the bottom edge of the wall holes.
- 3、Insert RJ45 network cable, 2PA wire, 4PB wire and 6PC wire into the corresponding ports of the outdoor unit.
- 4、Hang the outdoor unit onto the mounting base and slide it down to the locked position. The unit will be fixed and cannot be removed normally.
- 5、To dismantle, insert the release tool into the indicated gap, then lift the tool together with the outdoor unit upward.

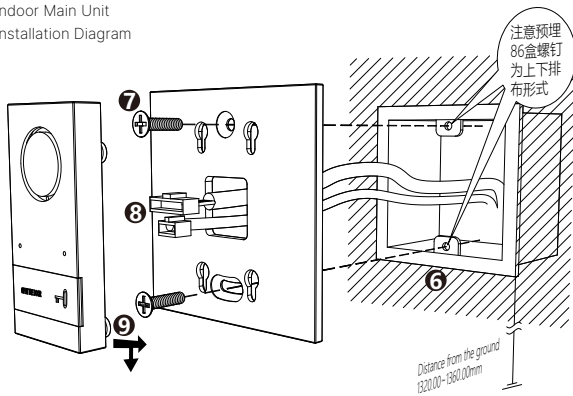
Installation and Removal of Indoor Unit

- 6、Embed a standard 86-type wall box on the indoor wall, keep the mounting holes vertically aligned.
- 7、Secure the mounting base to the 86 box with screws.
- 8、Connect the 2P12V power wire, 2P unlock wire, 6P camera & doorbell wire and 5P fingerprint & keypad access wire to the indoor unit.
- 9、Hang the indoor unit on the base and slide it down into place.

D1vs

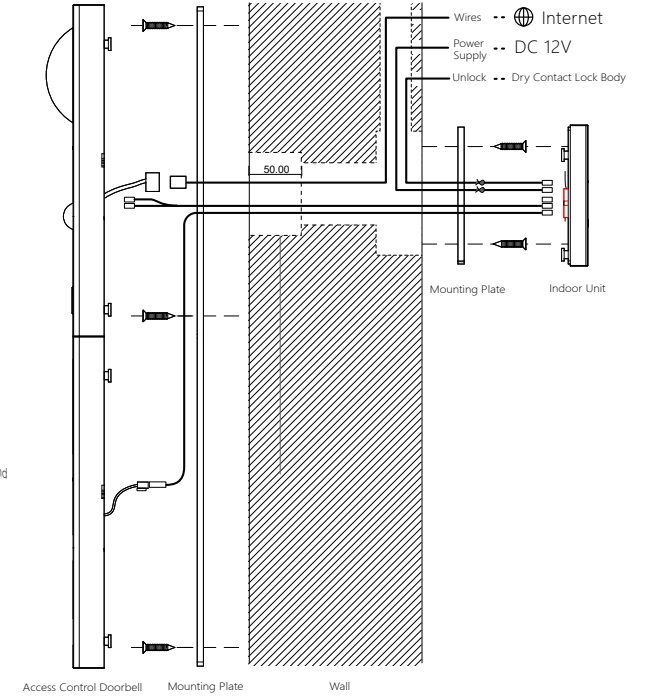
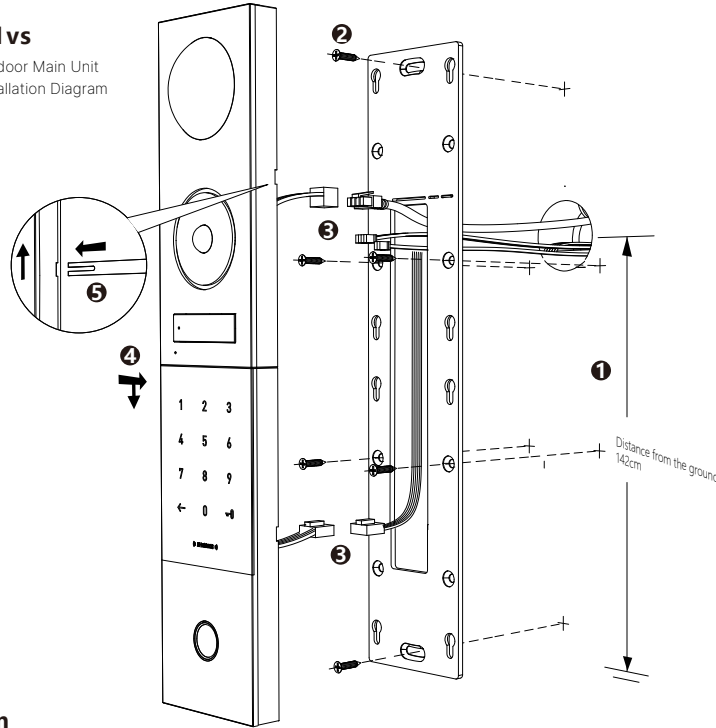
Functions & Installation Diagram

Indoor Main Unit Installation Diagram

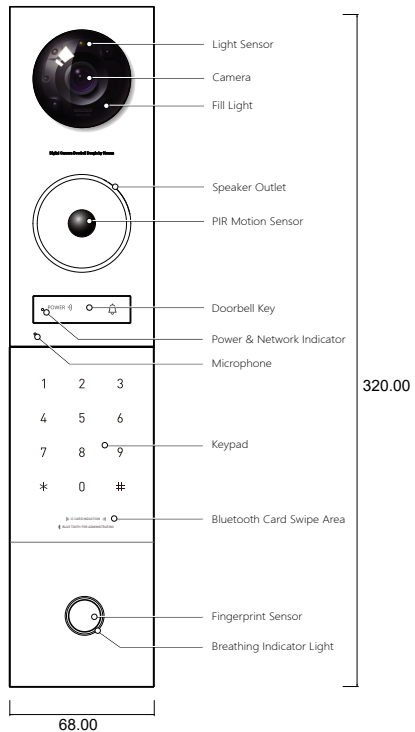


Indoor Unit Installation

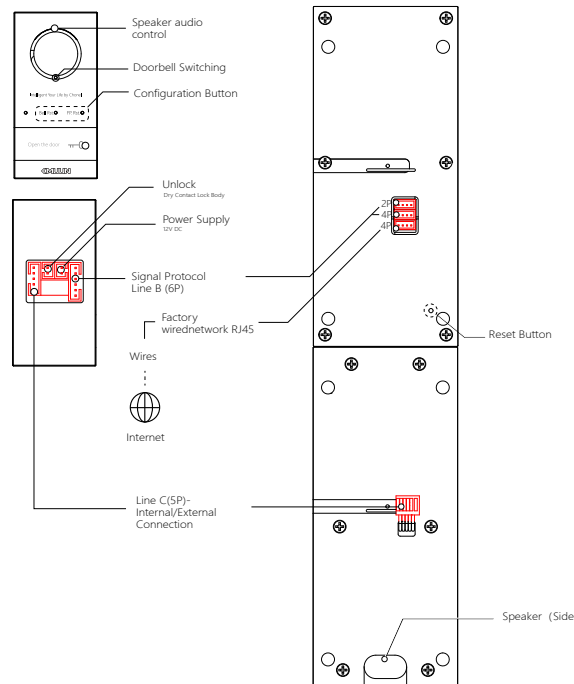
D1vs Outdoor Main Unit Installation Diagram



Function Diagram



Wiring Diagram



D1vs Outdoor Unit Wiring and Drilling Diagram

Installation and Removal of Outdoor Unit

1. Drill mounting holes on the outer wall at 142 cm above ground (see Diagram 10 for hole layout), and route connecting wires through the holes.
2. Fix the mounting base on the wall with screws; align the base holes with the bottom edge of wall holes.
3. Insert RJ45 network cable, 2PA cable, 4PB cable and 6PC cable into the corresponding ports of the outdoor unit.
4. Hook the outdoor unit onto the base and slide it down into place; the unit will be locked and non-detachable after installation.
5. To remove the unit: insert the release piece into the gap as shown, then lift the piece together with the outdoor unit upward.

Removal

6. Embed a standard 86-type junction box on the inner wall, keep mounting holes vertical.
7. Fix the mounting base onto the 86 box with screws.
8. Connect the 2P 12V power cable, 2P unlock cable, 6P camera & doorbell cable, and 5P fingerprint & keypad access control cable to the indoor unit.
9. Hang the indoor unit on the base and slide it down into place.