

# Kmuun PSP-SE

## Power Cable Pass through User Manual

v0.0.1

### Door Leaf Unit



Width: 24  
Height: 288  
Thickness: 27(mm)

### Door Frame Unit



Width: 24  
Height: 288  
Depth: 27(mm)

### Finish:

- Anodized Aluminum Alloy
- Black ABS with V0 flame rating

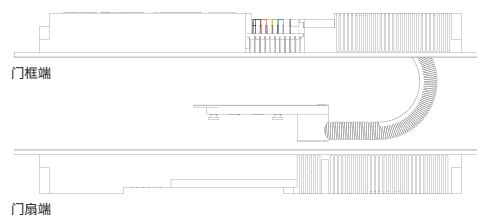
### In the box:

- Door leaf end
- Door frame end
- Mounting accessories

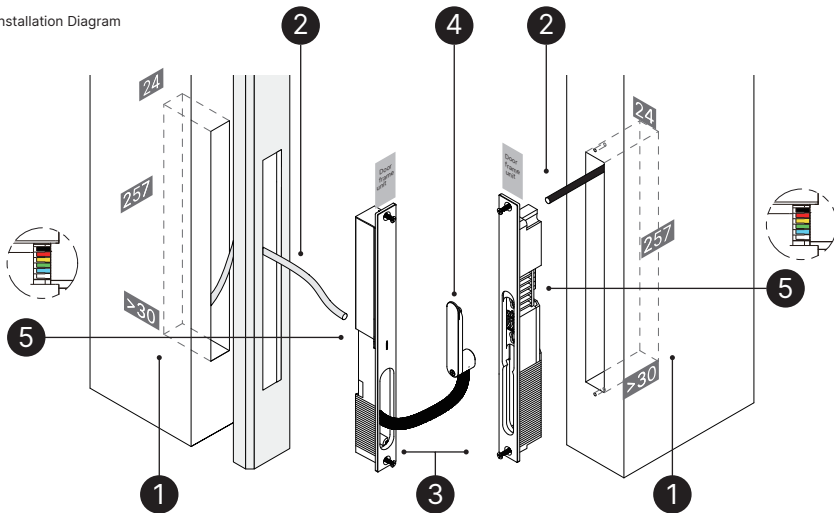
### Environment

- RH(Non-cond): 20% ~ 90%RH
- Temp: -25 ~ 60°C

### Product schematic diagram



### Installation Diagram



- ① Based on the PSP-SE diagram & your product's actual requirements, cut openings/channels in the door frame, wall, and door leaf to accommodate the PSP-SE device and allow extra space for cable routing.
- ② Connect the device cable and the automatic lock cable to the PSP door leaf unit. For other devices, use the ports as defined below.
- ③ Place the door frame& leaf units into the slots, then secure them to the frame and leaf using the 4 included M4\*7 black self-tapping screws.
- ④ Connect the door leaf & frame  
Install the contact plate into the slot, slide it downward until it reaches the bottom, then tighten the fastening screws to complete the installation. Is ready for further testing.
- ⑤ **Wiring Specification**  
Both ends of the product are spanner wiring terminals. Connect strictly by matching wire colors; only same colors can be connected.  
Current Rating:  
Black, red, yellow terminals: Max working current ≤ 8A  
Green, blue, white terminals: Max working current ≤ 4A

### Attention

- Before use, read **all** instructions carefully. Damages from non-compliance are not covered by warranty.
- Use only manufacturer-specified accessories and parts.
- Avoid forcefully disassembling to prevent damage.
- Keep away from water or splashing environments.
- Use the product properly within its applicable scope.
- Any operation beyond normal usage shall be performed by professional technicians.

### Warranty

- This product's after-sales service strictly follows the "Consumer Protection Law of the People's Republic of China" and the "Product Quality Law of the People's Republic of China," with the following after-sales service terms:
- Within one year from the day after you receive the product, if any performance failure listed in the "Product Performance Fault List" occurs, the product will be repaired free of charge based on the warranty type after being inspected and confirmed by the KMUUN Service Center.
- For damages not covered by the warranty or caused by human factors, the KMUUN Service Center can still provide repair support, but a repair fee will be charged according to the actual condition of the product.