

Kmuun S1

Intelligent Entry System User Manual

v 0.9.5

Indoor Unit



- Width: 60
- Height: 143
- Depth: 13 (mm)
- Large-sized HD Display
- Door Release Button
- Touch for Camera

Outdoor Unit



- Width: 60
- Height: 143
- Depth: 31 (mm)
- Infrared Motion Detection
- Immersive Panel Design
- Dual-Lens Facial Recognition

Finish

- Anodized Aluminum Alloy
- Tempered Glass

Installation

- Door Installation
- Ultra-Thin Embedded Design

Storage

- 100 Keys

Passcode

- 6 to 10-digit passcode
- 20-digit pseudo passcode
- Dynamic Backlight
- RFID Card Induction

Fingerprint

- Resolution: 500 DPI
- FRR: <=0.15%
- FAR: <=0.00004%
- Auto-Update

Facial Recognition

- Distance: 30 - 120 cm
- Height: 1 - 2.2 m
- FRR: < 0.01%
- FAR: < 0.00001%
- Ver. Time: < 350 ms

Digital Door Viewer

- LED Lighting
- Wide-Angle Camera
- 1280 x 720 DPI

Power

- 12 ~ 24 V \pm 10% DC

Operating Environment

- RH: 20 % ~ 93 %
- Temp: -10 °C ~ 55 °C

Voice Guidance

- Chinese
- English

APP

- Kmuun APP



- Video Communication
- Remote Unlocking
- Event Log
- Notifications
- Device Sharing

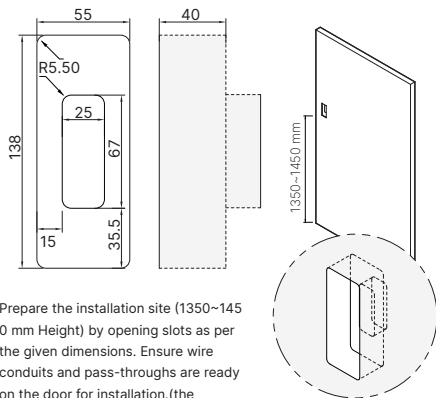
In The Box

- Indoor Unit
- Outdoor Unit
- Cables
- RFID Cards
- Pin
- User Manual

Firmware

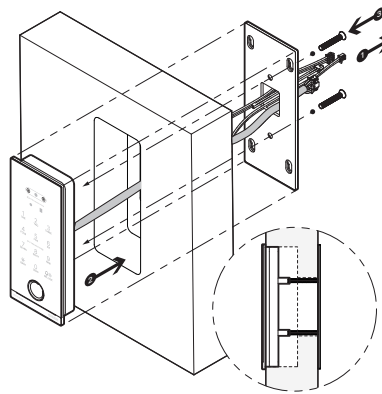
- S1-0330-092

1



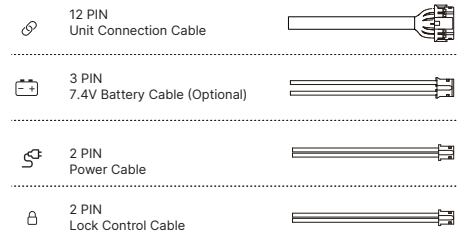
Prepare the installation site (1350~1450 0 mm Height) by opening slots as per the given dimensions. Ensure wire conduits and pass-throughs are ready on the door for installation.(the diagram below is for surface

2



1

Route the factory-supplied inter-unit cable, power cable and lock control cable through the inner openings.



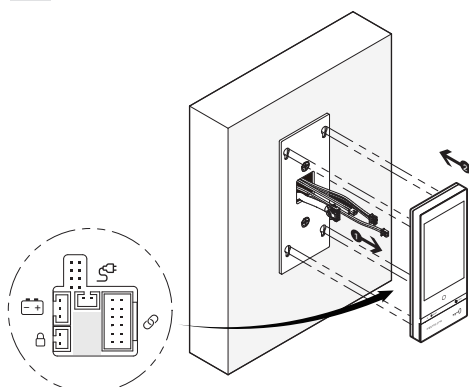
2

After connecting one end of the outdoor unit to the indoor-outdoor connection cable, place it in the fine slot hole.

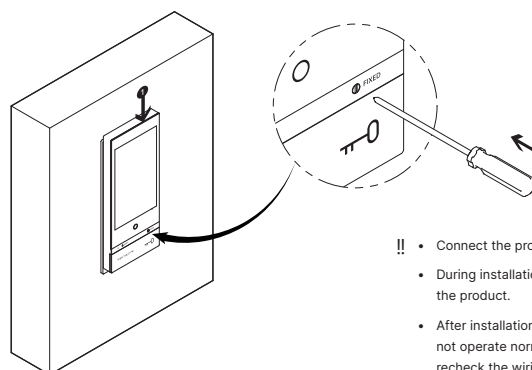
3

Choose two M4 flathead screws of suitable length appropriate length for your door's thickness. Secure the indoor mounting plate and the outdoor unit together (as shown in the picture within the circular frame).

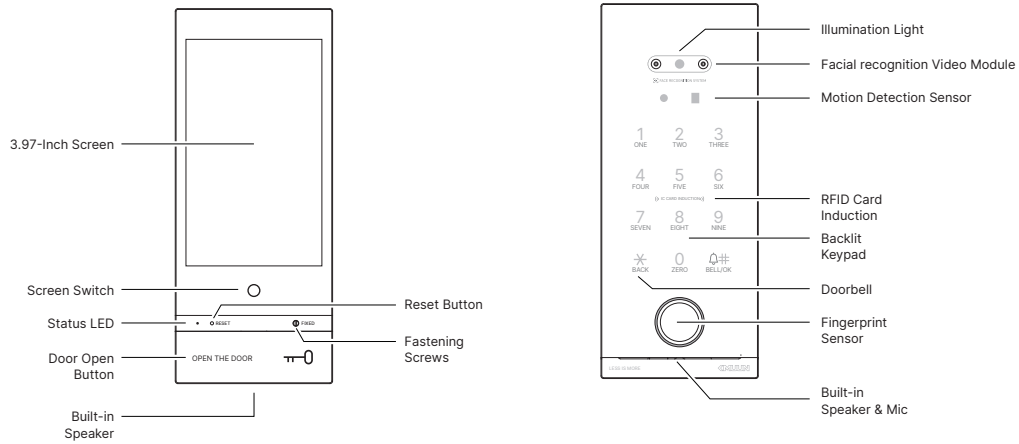
3



4

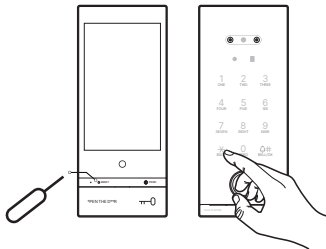


- !! • Connect the product before turning on the power.
- During installation, strictly follow the wiring diagram to connect the product.
- After installation, power up the device. In case the product does not operate normally, immediately cut off the power and recheck the wiring.
- If the product still fails to function after rechecking, please contact a professional technician for technical support.



Local Features Operation Instructions

To enter the menu, short-press the 'Reset' on the indoor unit with a pin or press the "(*) Key \ (#) Key" on the outdoor unit. In factory mode, this menu is directly accessible. Otherwise administrator verification is required. The voice will announce 6 options, but the device only supports the following 4 options.



- 1 Create New User
- 2 Delete User
- 3 System Setting
- 6 Factory Reset

1 Create New User

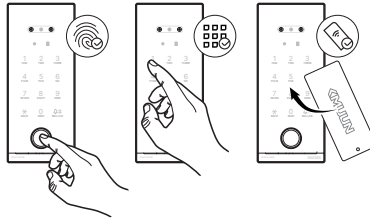
□ Operation success, User 00

In initial setup mode (factory mode), the system will enter administrator configuration. You can sign up to 10 administrator

□ Enter user ID

After the voice prompt, enter a new or existing user ID (00-99), then press # to confirm. 00 = administrator | 01-99 = standard user.

- user ## enter access key □ sign up fingerprint, passcode, RFID
 □ sign up facial recognition
 □ sign up fingerprint, passcode, RFID card



Fingerprint Enrollment: Place the finger on the outdoor unit fingerprint sensor. Follow the voice prompt "Please press again" and repeat several times until "operation successful" is announced. Interruption or incorrect presses may cause failure.

Passcode Setup: Enter a 6-10 digit passcode on the keypad. Re-enter it as prompted. If "operation success" is heard, the passcode is set. Passcodes with invalid length or mismatched entries will be rejected. Repeated passcodes are not allowed.

Access Card Registration: Hold the card close to the keypad area. A voice prompt "operation success" confirms registration. Duplicate cards will be rejected.

2 Sign up facial recognition

□: Look directly at the camera

Face Registration: Look directly at the camera and follow the voice instructions. "Operation successful" confirms registration.

Duplicate faces will be prompted. Process times out if delayed. Optimal range: 50 cm.

2 Delete User

□ Enter user ID

After the voice prompt, enter a configured user ID (01-99) and press #. If "Operation successful" is announced, the user is deleted. Incorrect IDs will result in failure. User 00 (administrator) cannot be deleted.

3 System Setting

□ 1 Time Setting 2 set volume 3 Verification Mode 4 set language

Select a menu to configure after the voice prompt.

1 Time Setting

Follow voice prompts to enter the date (YYMMDD) and time (HHMM). Incorrect settings may disable temporary passcode function.

2 Volume Settings

□ Volume Up □ Volume Down

3 Verification Settings

□ Dual Verification | Single Verification

Follow the voice prompt to select a method. Single verification requires one credential. Dual verification requires two different credentials.

4 Language Settings

□ 1 Chinese 2 English

6 Factory Reset

□ Initializing... Initialization successful.

Press # to confirm. After the voice prompt, initialization is complete. The device will enter factory mode. Configure new credentials promptly.

Auxiliary Functions

Factory Reset

Hold the reset button with a pin for 6s until "Initializing ... Success" is heard. Release and wait. Unlock will require no credentials. Reconfigure immediately.

Lockout Mode

Triggered after 6 failed attempts. The external unit locks and announces "System locked. Try again later." Automatically resumes after 3 minutes.

Kmuun App Setup Guide

!! Search for "Kmuun" in your APP store, download the APP, and register with your phone number. For the local device: Press #2 to clear network settings, then press #1 to enter pairing mode. In the APP, tap the + icon in the top right, select your product, and follow the instructions. Remember to choose a non-5G Wi-Fi network.

The Kmuun S1 uses 2.4 GHz Wi-Fi for connectivity. A strong signal is required for smooth video streaming. Through the app, you can use: Remote video feed, Doorbell notifications, Event history alerts.

Notes

- Before use, read all instructions carefully. Damages from non-compliance are not covered by warranty.
- Use only manufacturer-specified accessories and parts.
- Avoid forcefully disassembling to prevent damage.
- Keep away from water or splashing environments.
- Do not clean the fingerprint sensor with sharp objects or corrosive liquids.
- Clean with a soft cloth and water to prevent surface damage.
- Set up the device immediately after installation to avoid safety issues.
- Keep the admin password confidential.
- If the RFID card is lost, reset the device and set up new keys.

Warranty

- This product's after-sales service strictly follows the "Consumer Protection Law of the People's Republic of China" and the "Product Quality Law of the People's Republic of China," with the following after-sales service terms:
- Within one year from the day after you receive the product, if any performance failure listed in the "Product Performance Fault List" occurs, the product will be repaired free of charge based on the warranty type after being inspected and confirmed by the KMUUN Service Center.
- For damages not covered by the warranty or caused by human factors, the KMUUN Service Center can still provide repair support, but a repair fee will be charged according to the actual condition of the product.